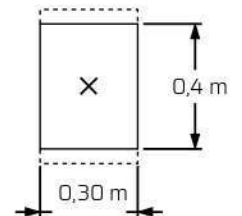
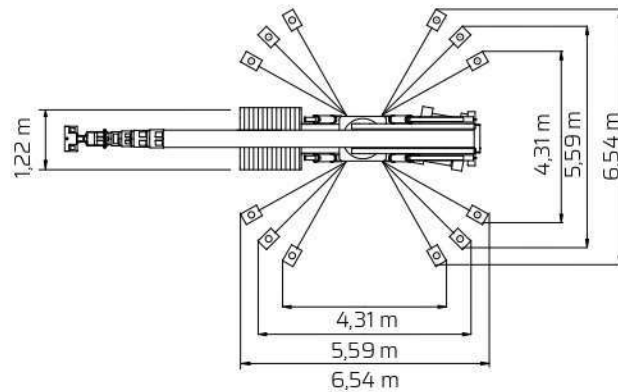
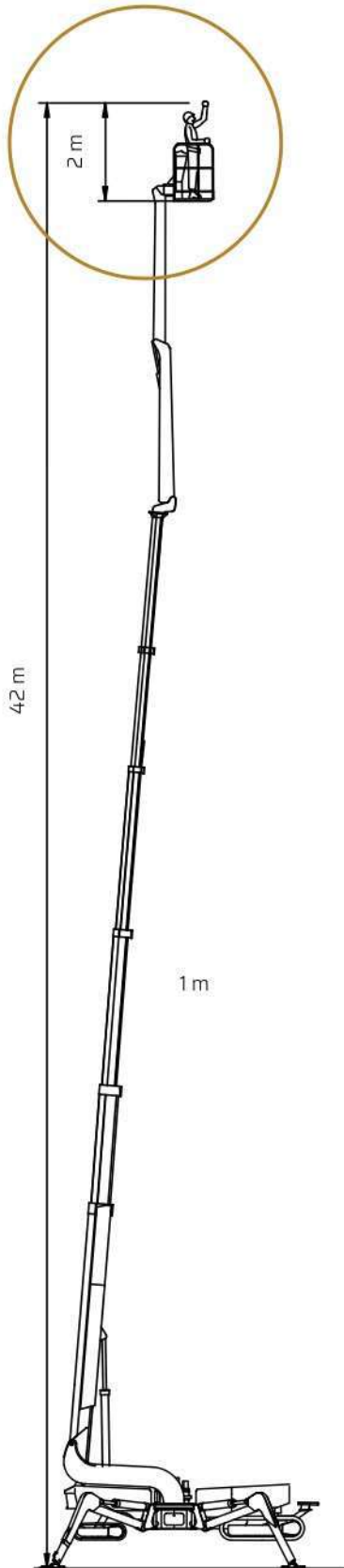
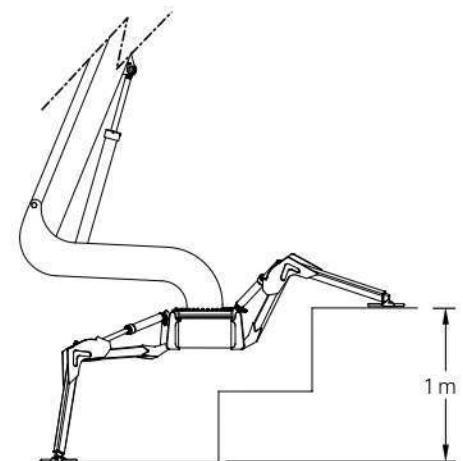
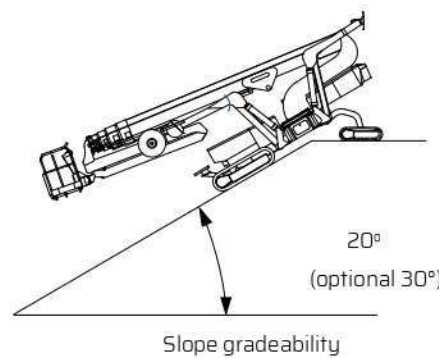
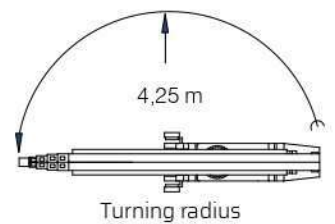
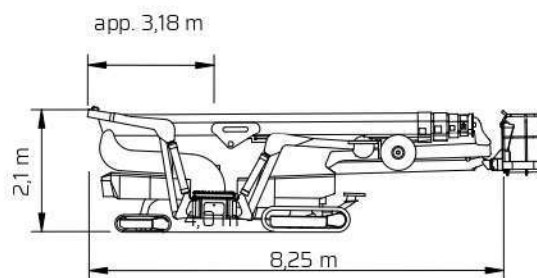


# FS 420C

## Outer measurements



Outrigger plate area  
= 1200 cm<sup>2</sup>



## Additional info:

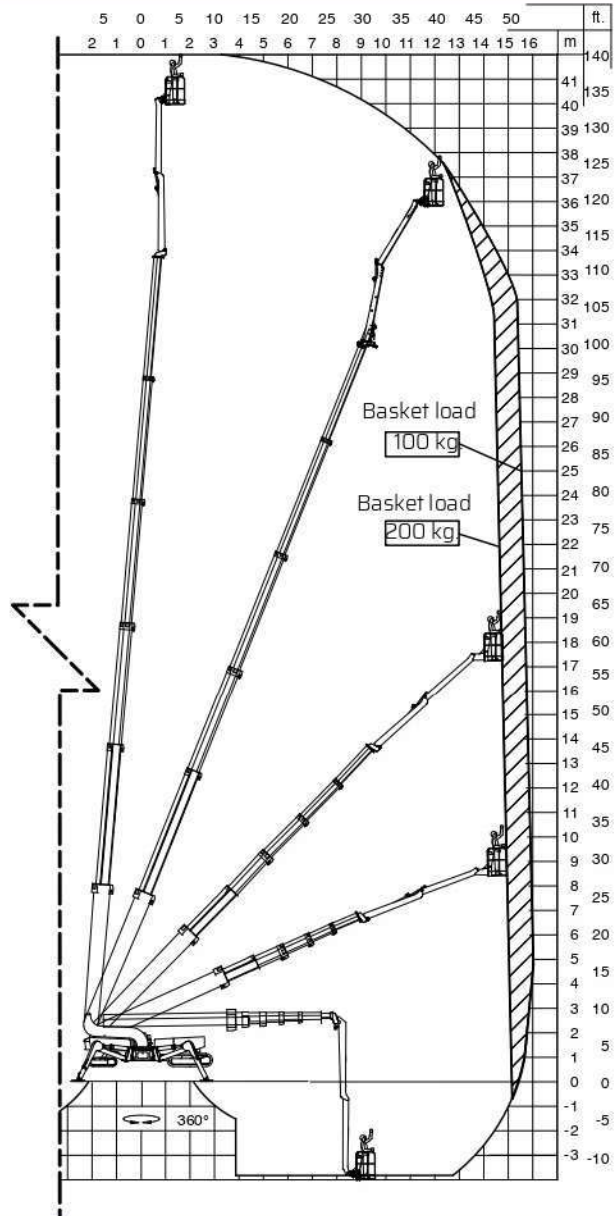
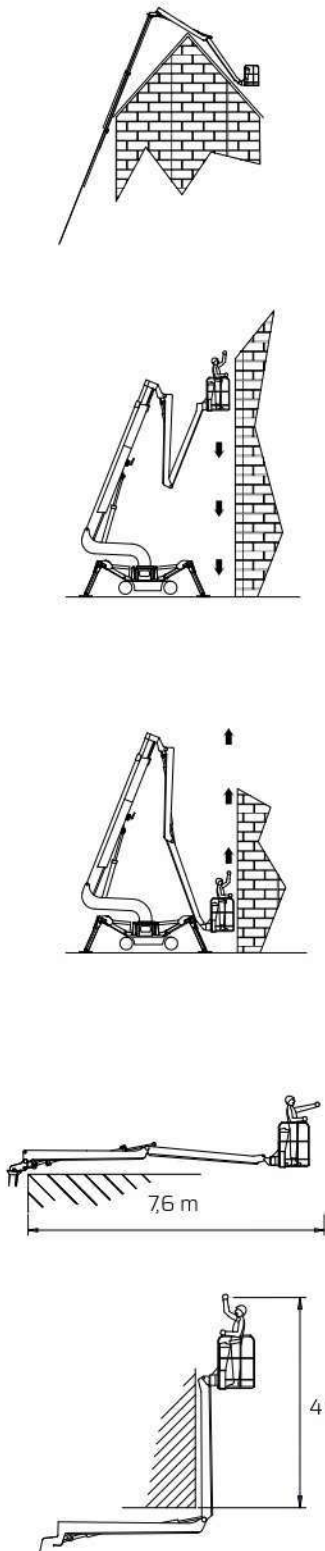
### Weight and ground pressure:

Weight with standard equipment	8200	kg.
Surface pressure under crawlers (soft surface)	1,30	kg/cm <sup>2</sup>
Surface pressure under crawlers (hard surface)	2,75	kg/cm <sup>2</sup>
Max. ground pressure under 1 outrigger plate	3,10	kg/cm <sup>2</sup>

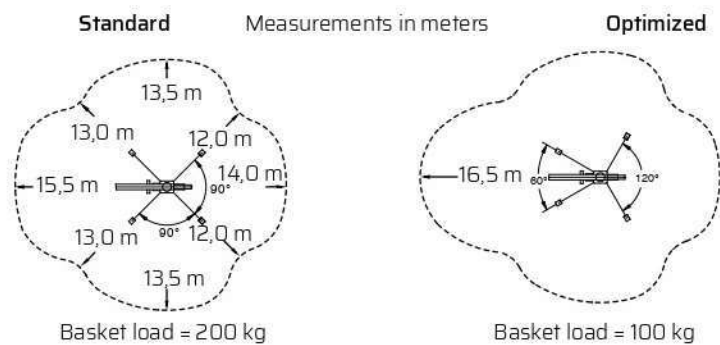
As all our products are in a constant process of development we reserve the right to alterations

# FS 420C

## Reach diagram - Optimized position



## Reach with outriggers in different positions



All measurements are intended as guide. Choice of equipment may change the mentioned measurements